

AU-500-WIFI • 5MP COLOR WIFI CAMERA

SKYE WiFi™ MICROSCOPY CAMERA



Simultaneously view live images on multiple devices!

The new SKYE Microscopy Camera Series delivers fantastic color images and video without the need for cumbersome cables or bulky computers by the microscope.

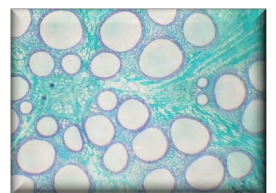
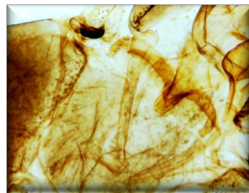
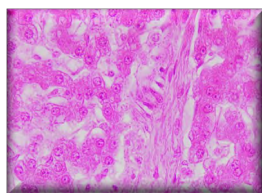
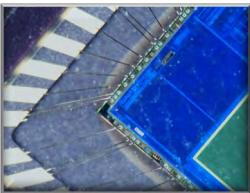
SKYE microscopy cameras set a new standard for convenience and collaboration in color microscopy imaging.

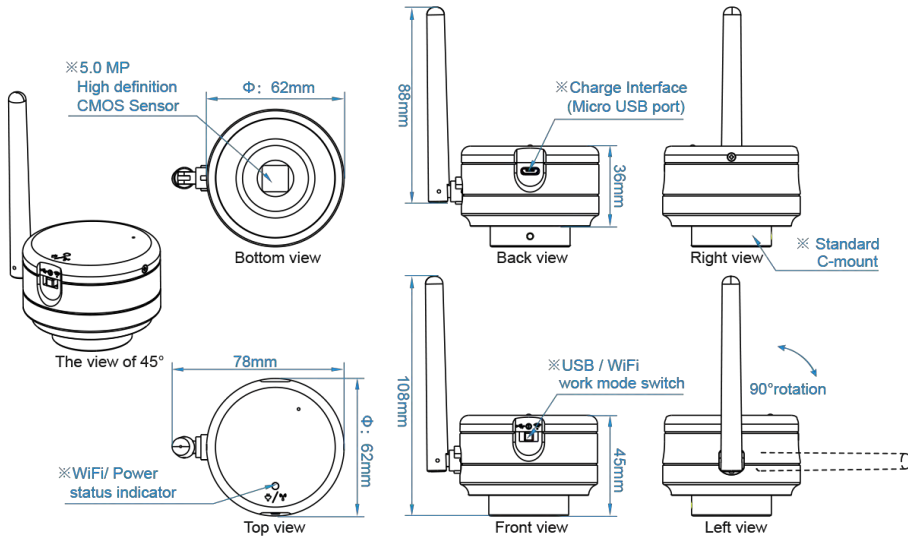
- Transmits its own 2.4GHz signal to wirelessly transfer images to your WiFi-connected computer or mobile device. WiFi is switchable with a USB 2.0 connection.
- View the live image at an amazing 40 frames per second (at 1280x960 resolution).
- Simultaneously view live images on up to 10 computers, tablets, or cell phones.
- Easily upgrade to any microscope. Attach the AU-500-WIFI to any camera port or eyepiece tube with a c-mount adapter.



SKYE WiFi images and video can be viewed on PC computers and laptops, as well as Android & iOS mobile devices!

- Capture snapshots or videos with click of a button.
- Great for everyday specimen observation, instruction and collaboration.





Uses a standard C-mount
(0.35x recommended)

- 5MP CMOS Camera
- 2.4GHz WiFi or USB 2.0 (switchable)
- Up to 40 FPS
- High sensitivity antenna for long transmission
- WiFi compatibility with Windows, iOS and Android (Windows ONLY for USB connection)
- SKYE View™ imaging software

CAMERA SPECIFICATIONS

Model	AU-500-WIFI
Sensor	APTINA MT9P001 CMOS (colorful)
Sensor Size	1/2.5" (5.70mm (H) x 4.28mm (V), Diagonal 7.13mm); 0.35x C-mount recommended
Maximum Resolution	2592x1944 (5,038,848 pixels)
Maximum Transmission WiFi or USB Frame Rate	10FPS@2592x1944 15FPS@1920x1080, 1600x1200 40FPS@1280x960, 1280x720, 1024x768, 800x600, 640x480
Image / Video Capture	Picture Format: JPG, BMP, PNG, TIFF, PDF Picture Resolution: 2592x1944, 1920x1080, 1600x1200, 1280x960, 1280x720, 1024x768, 800x600, 640x480 Video Format: MJPG format, AVI file Video Resolution: 1920x1080, 1600x1200, 1280x960, 1280x720, 1024x768, 800x600, 640x480
Exposure Mode	Rolling shutter
Exposure Capability	Real-time auto, Single auto, Manual Adjustment
White Balance	Real-time auto, Single auto, Manual Adjustment
Pixel Size	2.2µm x 2.2µm
Dynamic Range	70.1dB
ADC	12-bit, 8-bit RGB to PC
SNR (Signal Noise Ratio)	38.1dB
Spectral Characteristics	380-650nm (during daytime mode)
Binning Modes	1x1, 2x2
Software Interface	DirectShow
Image Transfer (WiFi)	802.11b/g/n (Standard)
Image Transfer (USB)	Micro USB Interface, USB2.0 DC5.0V 500mA
Operating Frequency	2.400 ~ 2.4835GHz

Available Channels	802.11n 20MHz/40MHz 802.11 b/g/n USA, Canada (FCC): 11 channels (2.412GHz ~ 2.462GHz) Europe (CE): 13 Channels (2.412GHz ~ 2.472GHz) Japan (TELEC): 14 Channels (2.412GHz ~ 2.4835GHz)
Data Rate	802.11n: up to 150Mbps 1T1R 802.11b: up to 11Mbps 802.11g: up to 54Mbps
Transmission Power	11nHT40 MCS7: +16dBm +/-1.5dBm
User Number Guidelines At Different Resolutions	10@640x480; 8@800x600; 6@1024x768; 5@1280x720; 5@1280x960; 4@1920x1080 3@2592x1944
Power	WiFi: DC 5V 2A power cord USB: Direct-current 5V, power by USB Cable
PC Software Compatibility	Windows XP, 7, 8, 8.1, 10 (32 & 64 bit) (PC only, Mac OS not supported) System Requirements: Intel Core processor 2.8GHz or higher; 2GB memory or more WiFi: Internal wireless network card IEEE 802.11 b/g/n USB: DVD-Rom (Software Installation) or internet connection (download from website)
iOS Compatibility	iOS 8.0 or higher
Android Compatibility	Android 4.0 or higher Dual-core processor 1.7GHz or higher RAM memory: 1G or more Storage ROM: 8G or more

Design, features and specifications are subject to change without notice.



ISO 9001
Design and production adheres to ISO 9001 international quality standard.

ISO 14001
Design and production meets the requirements of international standard ISO 14001 for environmental management.